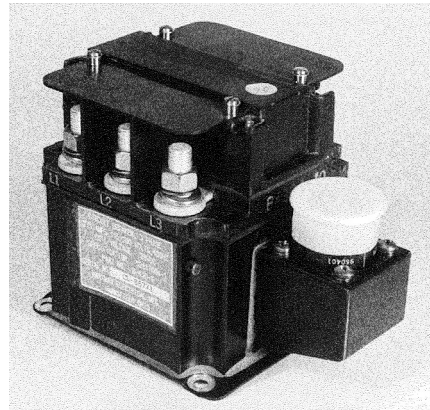


B-451 Series, Rated up to 175 Amps, 115/200 VAC, 400 Hz

Product Facts

- 3PDT, Magnetic latching
- Gasket sealed
- Auxiliary contacts available
- Meets many requirements of MIL-PRF-6106



Performance Data

Electrical Characteristics

Contact Arrangement — 3PDT, Magnetic Latching

Rated Operating Voltage — 115/200 VAC, 400 Hz

Resistive Rating — 175 Amps

General Characteristics

Temperature Range — -55°C to +71°C

Operating Cycles (Life) at Rated Resistive Load, Min. — 50,000 cycles

Operating Cycles (Life) Mechanical, Min. — 100,000 cycles

Dielectric Strength — All Circuits to Ground — 1,500 Vrms
Circuit to Circuit — 1,500 Vrms
Coil to Ground and Aux. Contacts — 1,000 Vrms

Insulation Resistance, Initial — 100 megohm min.

Altitude — 50,000 ft.

Weight, Max. — 2.44 lbs

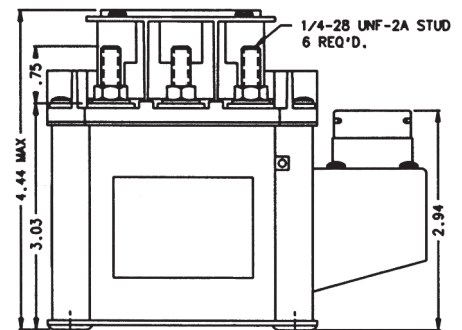
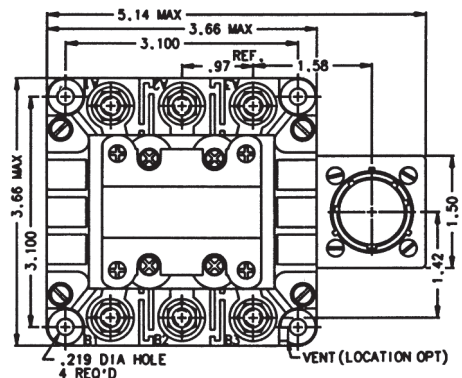
Coil Characteristics

Duty Cycle — Continuous, self-deenergizing

Operating Voltage, Max. — 30 Vdc

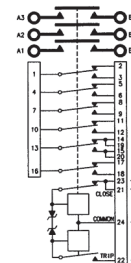
Close Voltage @ 15 to 30 Vdc — Resistance — 4.4 +10% Ohms
Current — 5 Amp Max.

Trip Voltage @ 15 to 30 Vdc — Resistance — 5.0 +10% Ohms
Current — 5 Amp Max.



Mounting Style A

Circuit Configurations (Consult factory for other available circuit configurations)



Circuit Configuration 1

HARTMAN Part Number	Construction Type	Mounting Style	Coil Type	Circuit Config.	TE Part Number
B451	Gasket/Vented	A	Continuous, Self-Deenergizing	1	1616023-3

For factory-direct application assistance, phone 419-521-9500 or fax 419-526-2749.